



AHK/STL STREET LIGHT HEATSINK

High Cost-Performance Solution for Street Light Replacement

Product Description

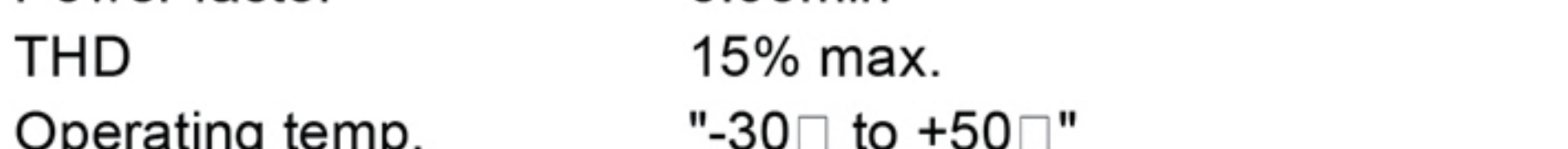
The AHK/60/STL, AHK/60/STL, AHK/120/STL & AHK/150/STL LED Street Light is a design based on the idea of green energy. The LED Street Light accepts 120-277VAC, and has a high lumen efficiency of +135Lm/W. With well-distributed and soft light, high stability, long life, elegant and special external design. This Luminary is regarded as the leading of greening Lighting on streets.

Performance Summary

- Input voltage:** 120-277VAC, 50/60Hz
- Efficacy:** +135Lm/W
- LED Type:** Philips LED Chips, Meanwell Driver
- Operating Temp.:** -40° to +55°
- CCT:** 3000k/4000K/4500K/5000K/6000K
- CRI:** >80 min PF: >.9
- Pole Diameter:** 60mm or 40mm
- Warranty:** Limited 5 years

Features & Benefits:

- Available in 30W, 60W, 120W and 150W
- 3000K, 4000K, 4500K, 5000K, 5700K are available
- 136Lm+/W
- Integrated Internal Driver
- Aluminum Casting Body
- Lighting Protection
- Optional Motion Sensor and Photoelectric Control Unit
- IP67 & Anti -Level 17 Hurricane



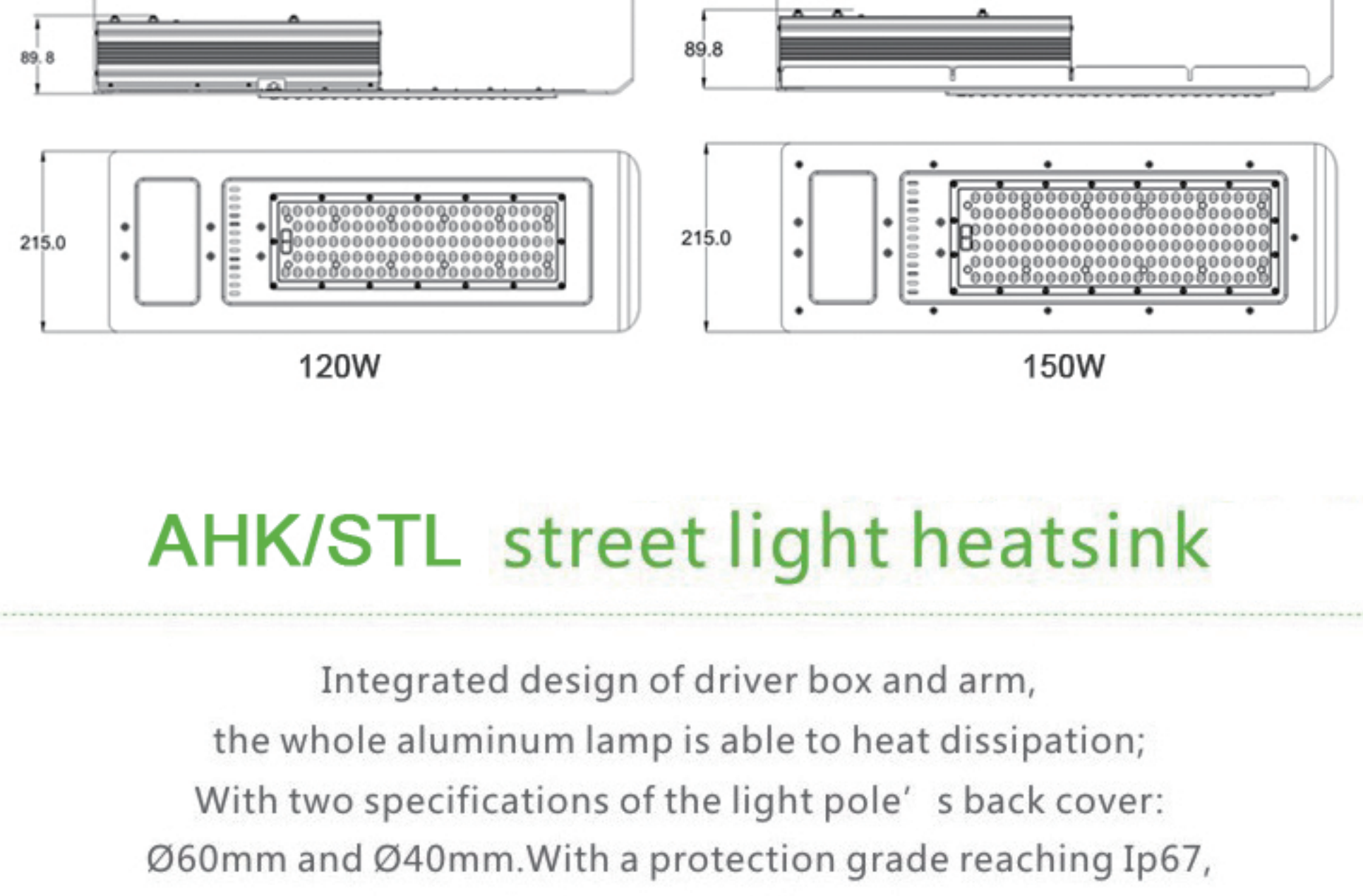
SPECIFICATIONS

ELECTRICAL MEASUREMENTS

Input voltage	120-277VAC, 50-60Hz
wattage	30W/60W/120W/150W
Power factor	0.90min
THD	15% max.
Operating temp.	"-30° to +50°"

PHOTOMETRIC CHARACTERISTICS

Initial Lumen Efficacy	126lm/W
CCT	3000K/4000K/4500K/5000K/6000k
CRI	>80
Lens	PC diffuser
Lifetime	>100,000 hrs at L70



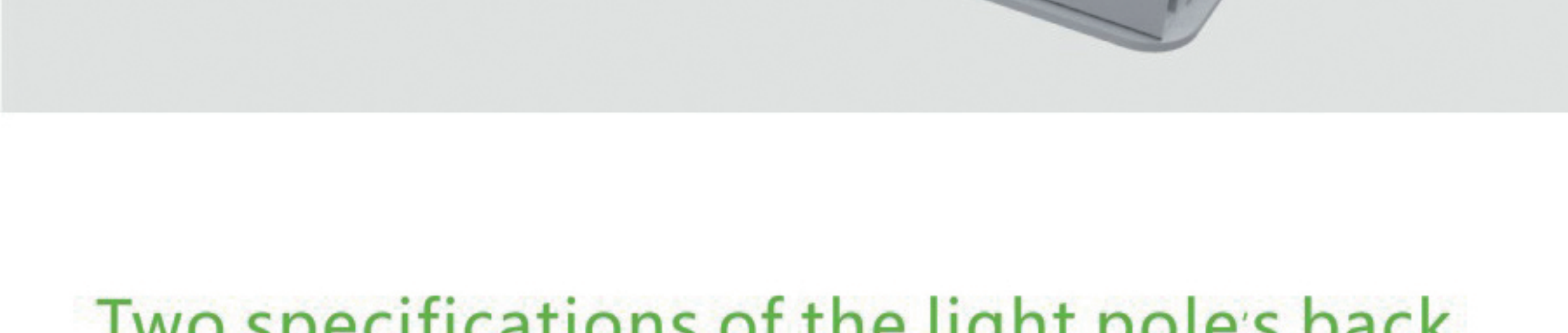
AHK/STL street light heatsink

Integrated design of driver box and arm, the whole aluminum lamp is able to heat dissipation; With two specifications of the light pole's back cover: Ø60mm and Ø40mm. With a protection grade reaching Ip67, it can withstand a level 17 hurricane.

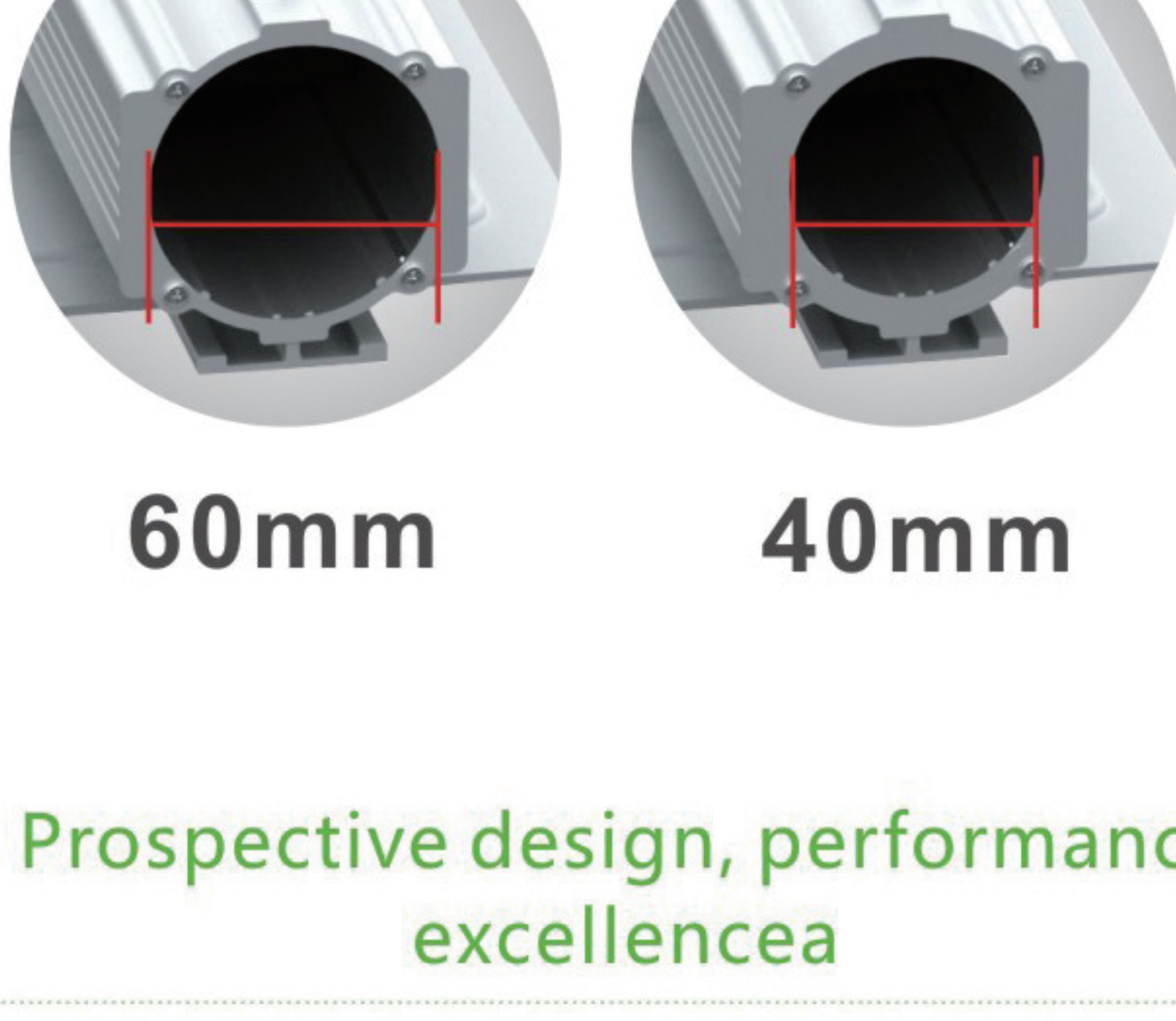


Integrated design of driver box and arm

The integrated design of driver box and arm can save the space and reduce the wind resistance to the best. (followings are abbreviated drawing, different watts, same functions.)



Two specifications of the light pole's back cover, the lamps can be used more widely



Prospective design, performance excellence

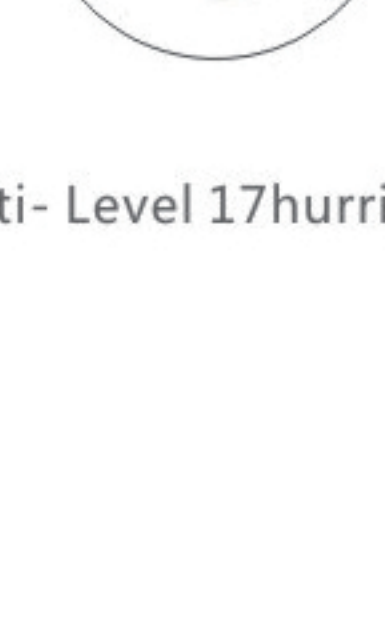
(followings are abbreviated drawing, different watts, same functions.)



Configurable ANKSO street lamp adapter
ANKSO street lamp adapter, With clear scale, 120° Angle adjustable, light as they move.



Protection grade reaches IP67



Anti- Level 17 hurricane

Multi Power Selection

AHK/STL series includes 30w, 40w, 60w, 90w, 120w, 150w, A total of 6 heat radiating Suite product portfolio, according to the use of premises need to select appropriate heat radiating suite.

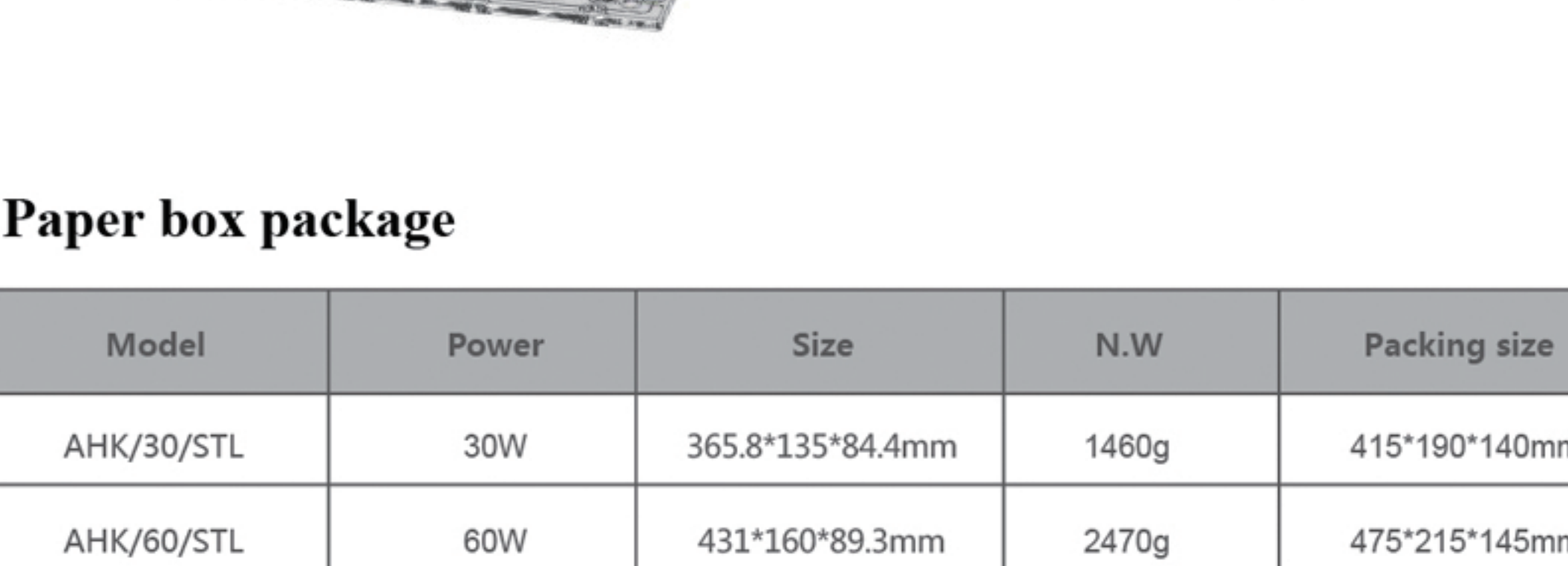


Application

Widely used in arterial roads, highways, elevated roads, city streets, bridges, sidewalks road lighting, and the square, schools, residential areas, industrial areas, parks and other outdoor lighting places need.



LED heatsink + lighting engineering solution provider



Paper box package

Model	Power	Size	N.W	Packing size
AHK/30/STL	30W	365.8*135*84.4mm	1460g	415*190*140mm
AHK/60/STL	60W	431*160*89.3mm	2470g	475*215*145mm
AHK/120/STL	120W	631.7*215*89.8mm	3880g	685*270*145mm
AHK/150/STL	150W	631.7*215*89.8mm	5600g	685*270*145mm