

AHK/48D/8FT and AHK/48D/4FT

LED Low Bay Fixture

Catalog	8Ft 1.0
Note	DLC PREMIUM, ETL AND LIGHTING FACTS LISTED
Type	Sales

Product Description

The AHK/48D/8FT and AHK/48D/4FT LED Low Bay Fixture is a design based on the idea of green energy. The LED Low Bay Fixture accepts 100-277VAC, and have a high lumen efficiency of +126Lm/W. With well-distributed and soft light, high stability, long life, elegant and special external design. This Luminaries is regarded as the leading of greening Lighting for commercial and industrial uses. Easy to install, and ideal for building renovation.

Performance Summary

Input voltage: 100-277VAC, 50/60Hz

Efficacy: +126Lm/W

LED Type: SMD2835 LM80

Operating Temp.: -35° to +55°

CCT: 4000K/4500K/5000K/5700

CRI: >80 min.

Lifetime: 50,000 hours

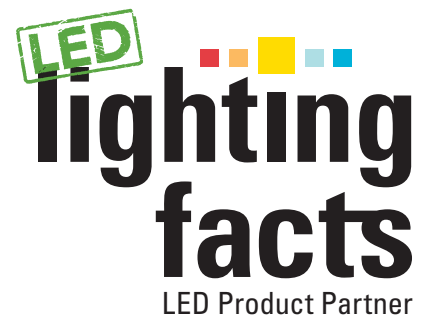
Warranty: Limited 5 years

Features & Benefits:

- Available in 48W
- 4000K, 4500K, 5000K, 5700K are available
- 126Lm+/W
- Internal Driver
- 0-10V Dimming

Application:

1. Residential Buildings, Home, Office, Meeting Room;
2. School, Library, Factory, Warehouse, Hotel;
3. Parking Garage, Hospital, Commercial Center;
4. Supermarket, Shopping mall;
5. Train, Bus station, airport, etc.



AHK/48D/8FT and AHK/48D/4FT

LED Low Bay Fixture

Catalog	8Ft 1.0
Note	DLC PREMIUM, ETL AND LIGHTING FACTS LISTED
Type	Sales

AHK/48D/8FT SPECIFICATIONS

ELECTRICAL MEASUREMENTS

Input voltage	100-277VAC, 50-60Hz
wattage	48W
Current	0.75A
Power factor	0.90min
THD	15% max.
Operating temp.	"-30□ to +50□"

PHOTOMETRIC CHARACTERISTICS

Initial Lumens Output	6060Lm
Initial Lumen Efficacy	126lm/W
CCT	4000K/4500K/5000K/5700k
CRI	>80
Lens	PC diffuser
Lifetime	50000hrs
R9	>0

LUMINOUS INTENSITY DISTRIBUTION

Beam angle	120Degree
------------	-----------

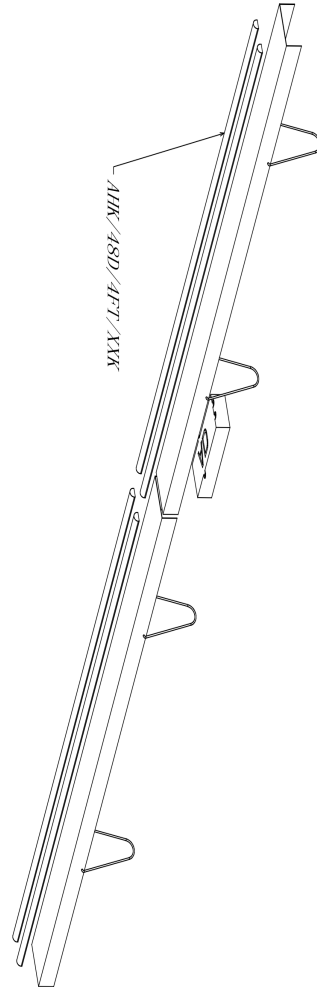
PHYSICAL SPECIFICATION

Length	2400mm
Width	85 mm
Height	37mm
Housing material	Metal Sheet
Finish	White Powder Coat
Packing Type	4 units/ctn.
Packing Dimension	128*25*16cm
Packing Weight	3.63 kg / unit, 15.6kg/ctn

Environment

Indoor/Dry location

Installation : Surface Bar Install



Ordering Information

Example: AHK/48D/8FT/57K

FAMILY		WATT		CONTROLS		SIZE		CCT	
AHK	ANKSO	48	48W	D	0-10V Dim	8FT	8ft	57K	5700K
								40K	4000K
								45K	4500K
								50K	5000K

AHK/48D/8FT and AHK/48D/4FT

LED Low Bay Fixture

Catalog	8Ft 1.0
Note	DLC PREMIUM, ETL AND LIGHTING FACTS LISTED
Type	Sales

AHK/48D/4FT SPECIFICATIONS

ELECTRICAL MEASUREMENTS

Input voltage	100-277VAC, 50-60Hz
Input wattage	48W
Current	0.75A
Power factor	0.90min
THD	15% max.
Operating temp.	"-30□ to +50□"

PHOTOMETRIC CHARACTERISTICS

Initial Lumens Output	6060Lm
Initial Lumen Efficacy	126lm/W
CCT	4000K/4500K/5000K/5700K
CRI	>80
Lens	PC diffuser
Lifetime	50000Hrs
R9	>0

LUMINOUS INTENSITY DISTRIBUTION

Beam angle	120Degree
------------	-----------

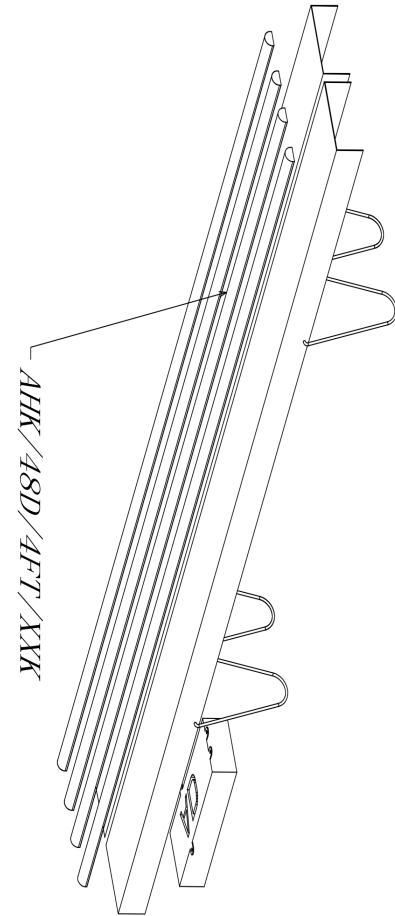
PHYSICAL SPECIFICATION

Length	1200mm
Width	170mm
Height	37mm
Housing material	Metal Sheet
Finish	White Powder Coat
Packing Type	4 units/ctn.
Packing Dimension	128*25*16cm
Packing Weight	3.63 kg / unit, 15.6kg/ctn

Environment

Indoor/Dry location

Installation : Surface Bar Install



Ordering Information

Example: AHK/48D/4FT/55K

FAMILY		WATT		CONTROLS		SIZE		CCT	
AHK	ANKSO	48	48W	D	0-10V Dim	4FT	4ft	57K	5700K
								40K	4000K
								45K	4500K
								50K	5000K